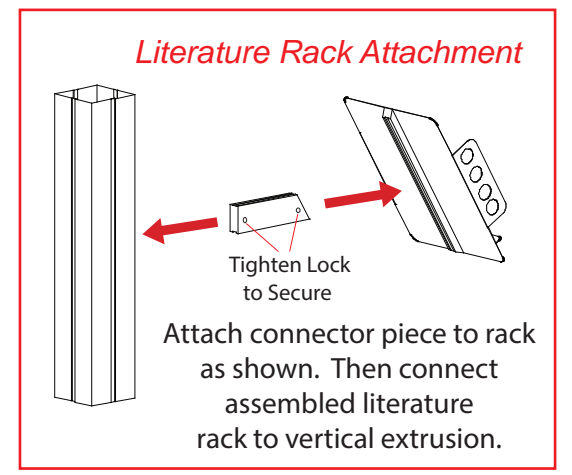
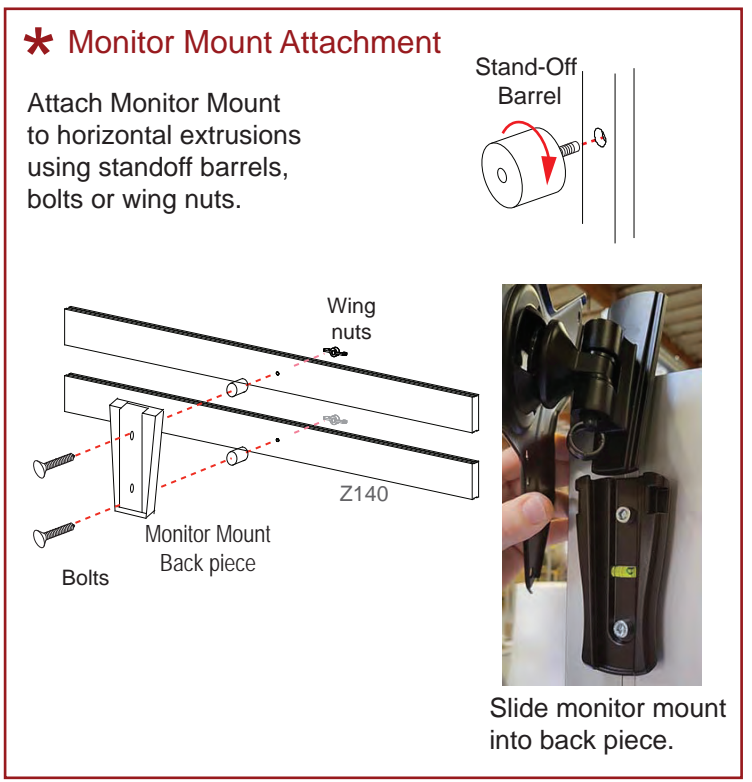
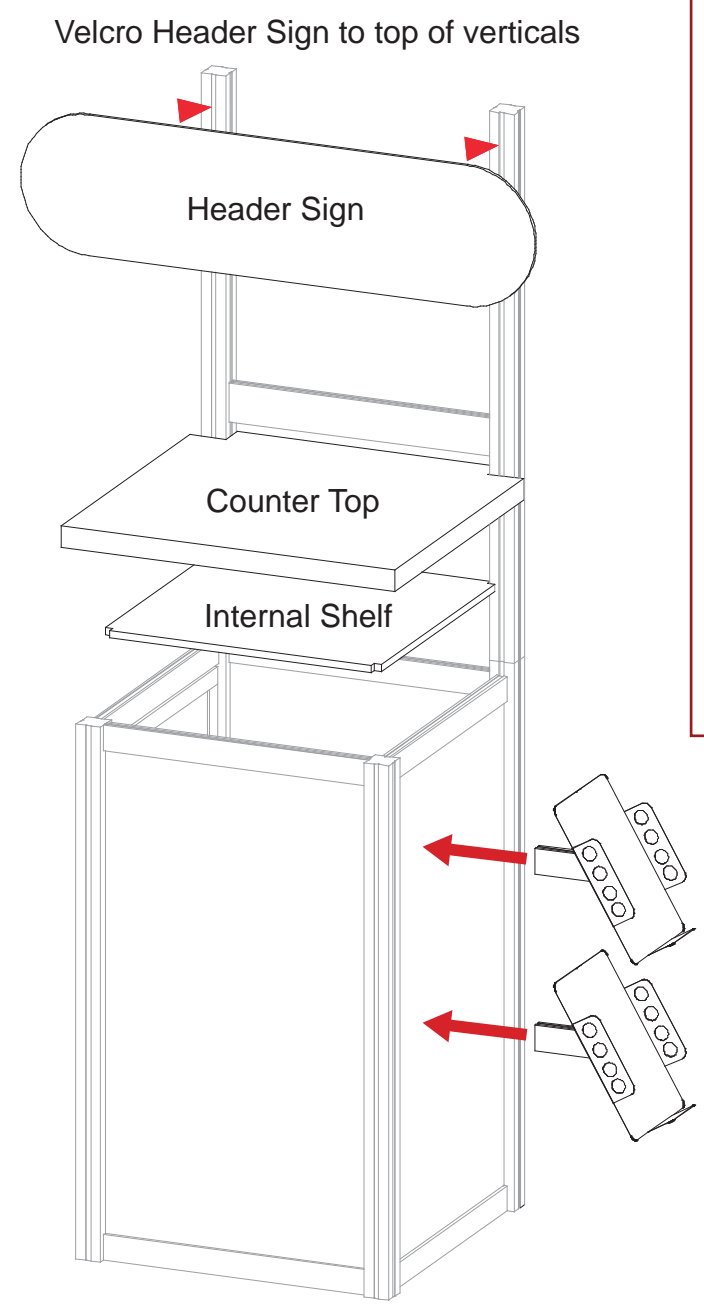
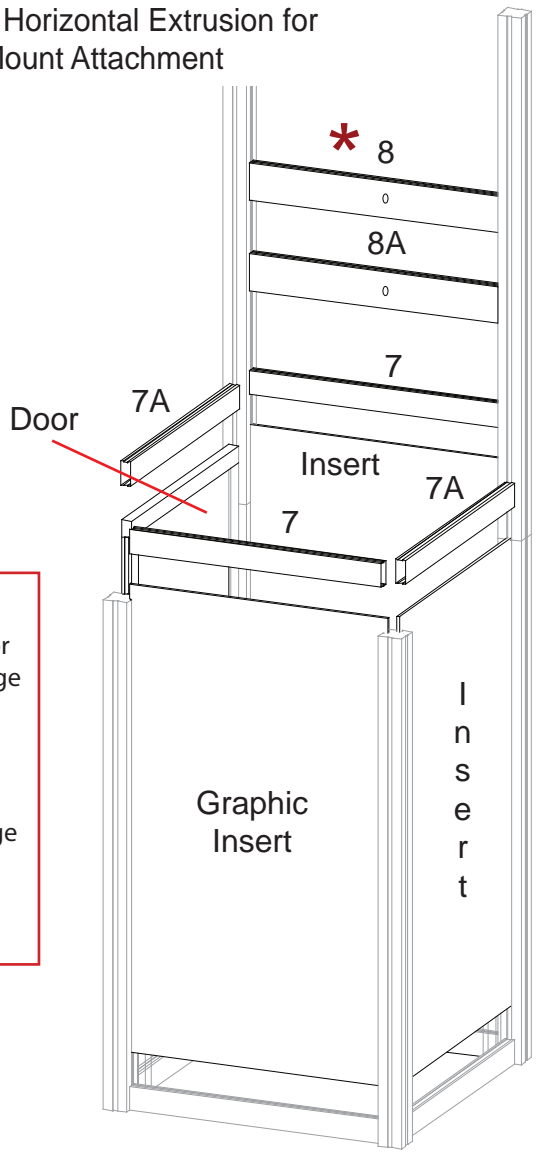
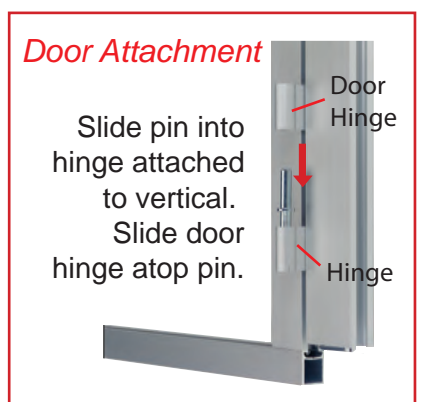
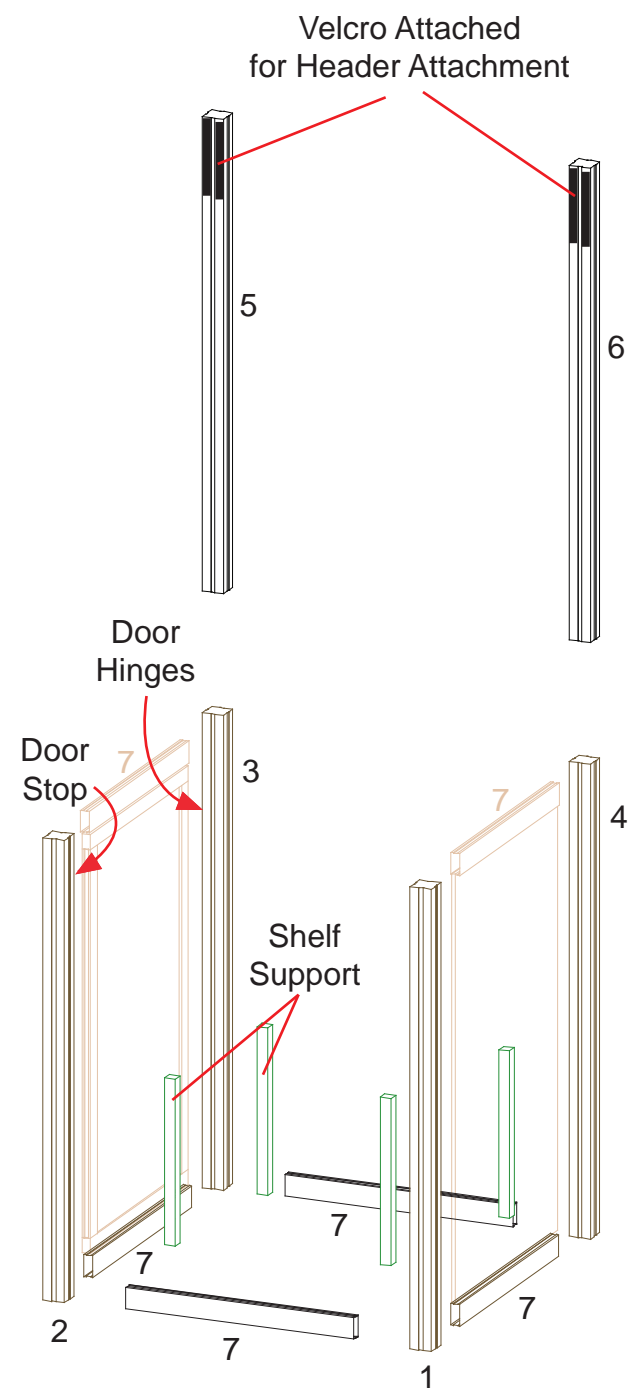


Steps:

- 1) Attach lower horizontal extrusions [7] between vertical extrusions [1, 2, 3 and 4].
- 2) Place inserts and attach door where indicated.
- 3) Attach horizontal extrusions [7] between vertical extrusions [1, 2, 3 and 4] and atop inserts and door.
- 4) Connect upper vertical extrusions to lower vertical extrusions [5 to 3 and 6 to 4].
- 5) Attach monitor mount attachment extrusion [8] between vertical extrusions [5 and 6].
- 6) Velcro internal shelf supports to inside of assembled base, then set internal shelf atop supports.
- 7) Place counter top atop assembled base.
- 8) Velcro header sign to top of vertical extrusions.

Item	Qty.	Description
1	1	38" h Vertical Extrusion
2	1	38" h Vertical Extrusion w/ Door Stop
3	1	39" h Vertical Extrusion w/ Door Hinges
4	1	39" h Vertical Extrusion
5	1	39" h Vertical Extrusion
6	1	39" h Vertical Extrusion
7	6	19.375" w Horizontal Extrusion
7A	2	19.375" w Horizontal Extrusion
8,8A	1,1	19.375" w Horizontal Extrusion for Monitor Mount Attachment



NOTE: Left and right sections where indicated in brown should remain assembled when shipping.

SETUP INSTRUCTIONS

General Setup Instructions

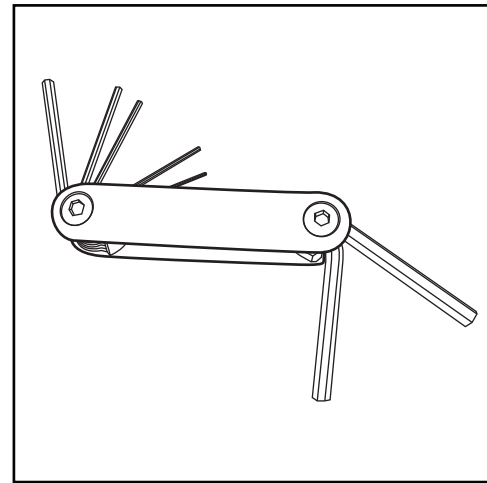
- Read entire setup instruction manual prior to unpacking parts and pieces.
- The setup instructions are created specifically for this configuration.
- Setup instructions are laid out sequentially in steps, including exploded views with detailed explanation for assembly.

Cleaning & Packing

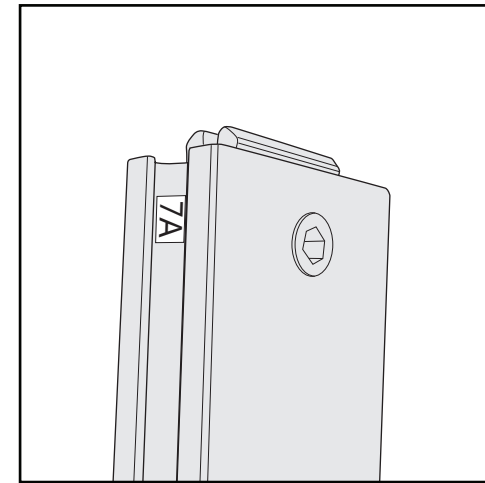
- For Cleaning Metal, Plex, & Laminate Parts: Use a **MILD NON-ABRASIVE** cleanser and soft cloth/paper towel to clean all surfaces.
- Keep exhibit components away from heat and prolonged sun exposure.
Heat and UV exposure will warp and fade components.
- Retain all provided Packing Materials. All provided packing materials are for ease of repacking & component protection.

Disassembly

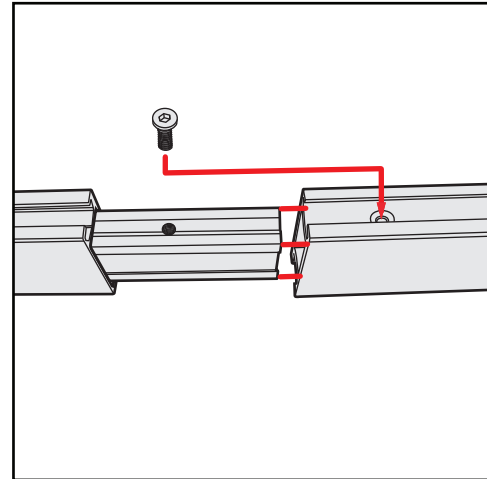
- For loss prevention, tighten all set screws and locks during disassembly.



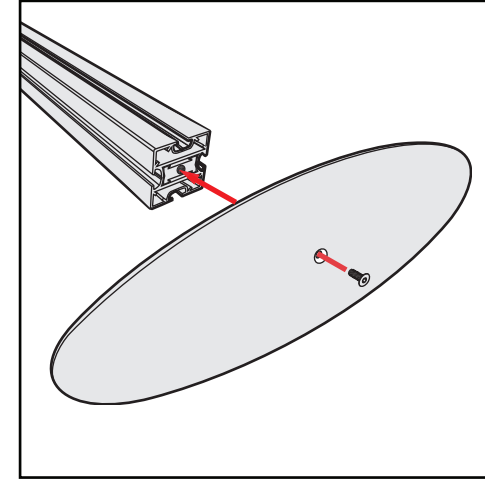
Hex Tool - Essential for Assembly



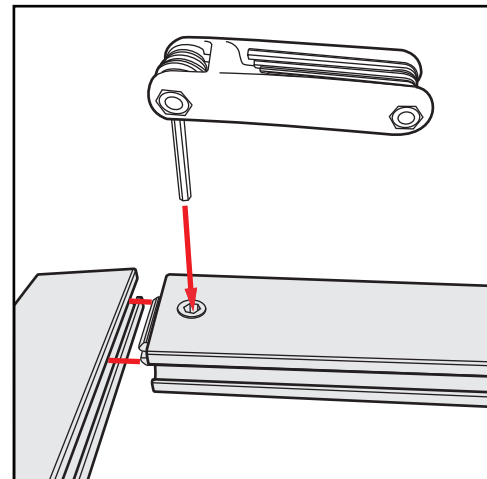
Part Identification - Numbering



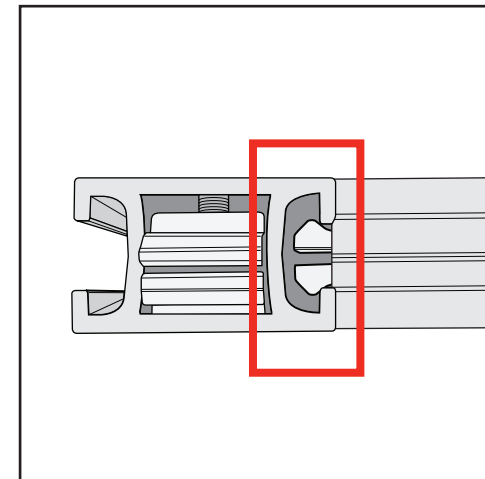
Spline Connection



Base Plate & Extrusion Connection



Extrusion & Lock Connection



Engaged Lock



WARNING



DO NOT USE POWER TOOLS



LADDERS OR LIFTS
MAY BE REQUIRED



ALL CONNECTIONS MUST
BE TIGHTLY SECURED

Top View of Each Level

